



WHEN ORDERING SPARE PARTS, ALWAYS STATE:
MODEL NO. - PRODUCT NO. - QUANTITY -
PART NUMBER - DESCRIPTION

ANALOG CONTROL KITS

USED WITH
AIR CONDITIONERS
for

COOL and FURNACE
COOL, FURNACE and HEAT STRIP
COOL, FURNACE and HEAT PUMP

USA
SERVICE OFFICE
The Dometic Corp.
509 So. Poplar St.
LaGrange, IN 46761
(219) 463-4858

CANADA
Dometic Dist.
866 Langs Dr.
Cambridge, Ontario
CANADA N3H 2N7
(519) 653-4390

**For Service Center
Assistance Call:**
1-800-544-4881

PARTS LIST

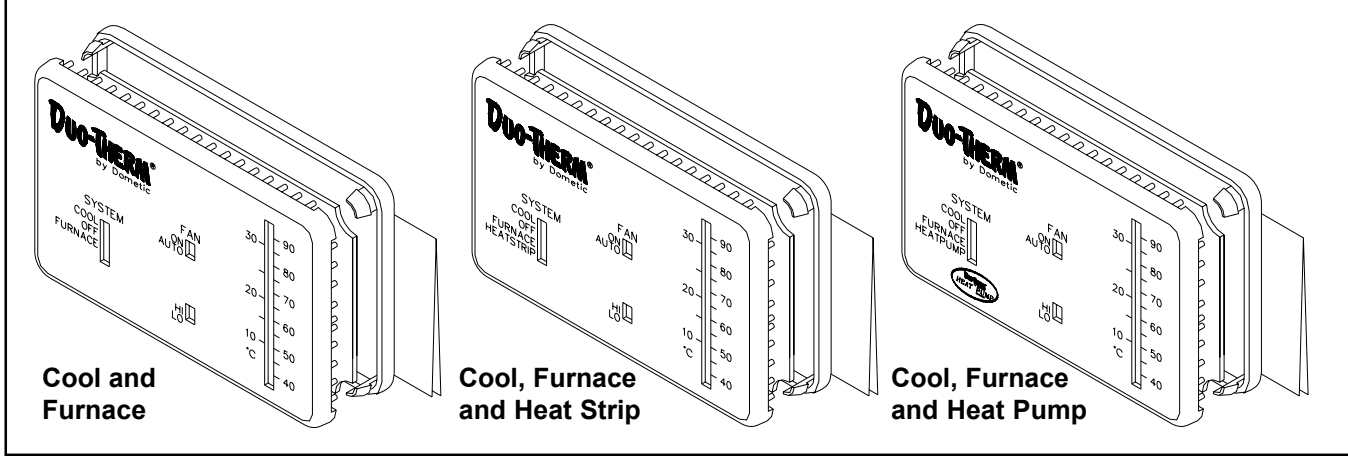
**ANALOG
CONTROL KITS**
3107541.009
3107541.017
3107546.008

REVISION
Form No. 3107904.025 1/00
(Replaces 3107904.017)
©2000 The Dometic Corporation
LaGrange, IN 46761

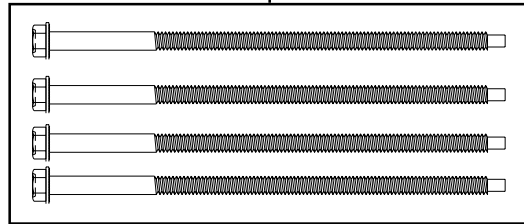
Analog Thermostat Kit

3107541.009, 3107541.017, 3107546.008

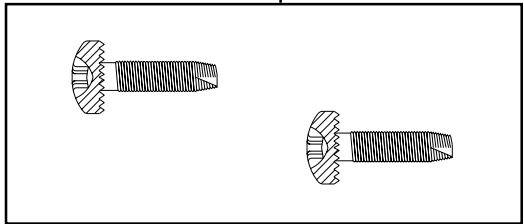
1



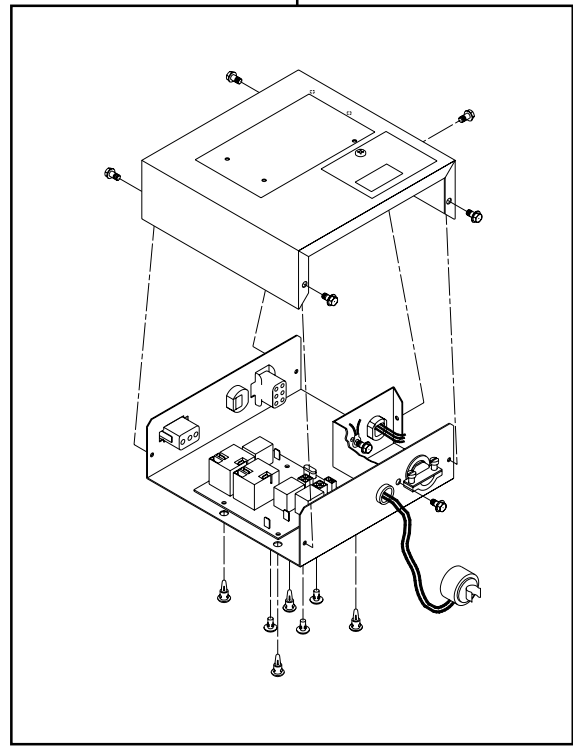
2



3



4



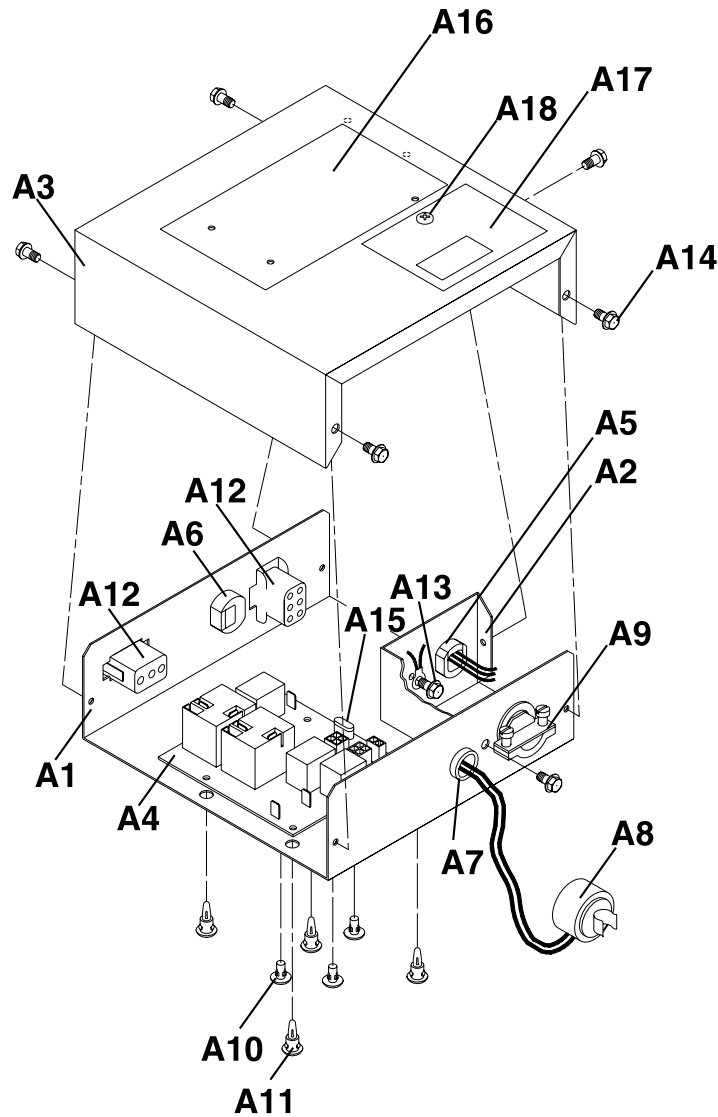
Analog Control Kits

Item No.	Description	Part No.		
		Cool Only	Heat Strip	Heat Pump
	Control Kit, analog	3107541.009	3107541.017	3107546.008
1	Thermostat, analog	3106995.032	3106995.057	3106995.040
2	Screw, M 1/4-20 x 8.00 (4 req.)	3106756.020	3106756.020	3106756.020
3	Screw, 10-24 x .50 (2 req.)	312194.002	312194.002	312194.002
4	Relay, board kit (See page 4 for A1-A18)	3106997.004	3106997.020	3106997.012

Cool Only = Cool & Furnace

Heat Strip = Cool, Furnace & Heat Strip

Heat Pump = Cool, Furnace & Heat Pump

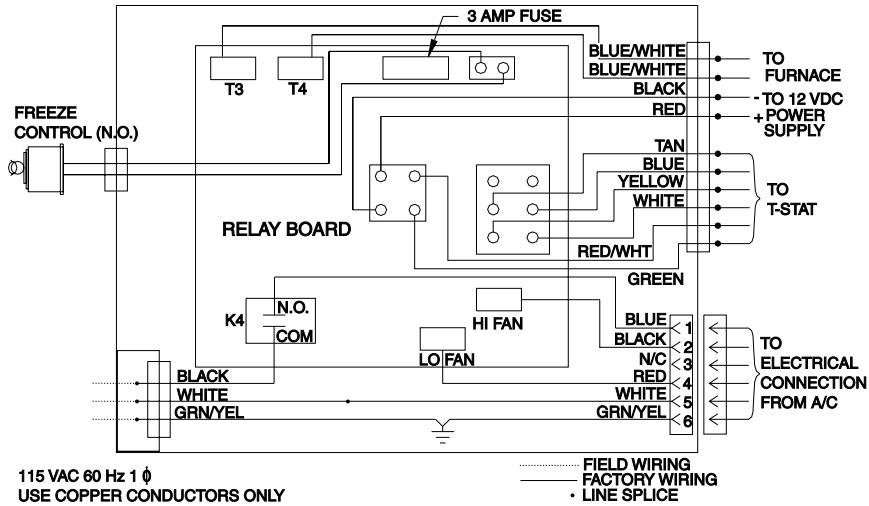


Kit, Board Relay

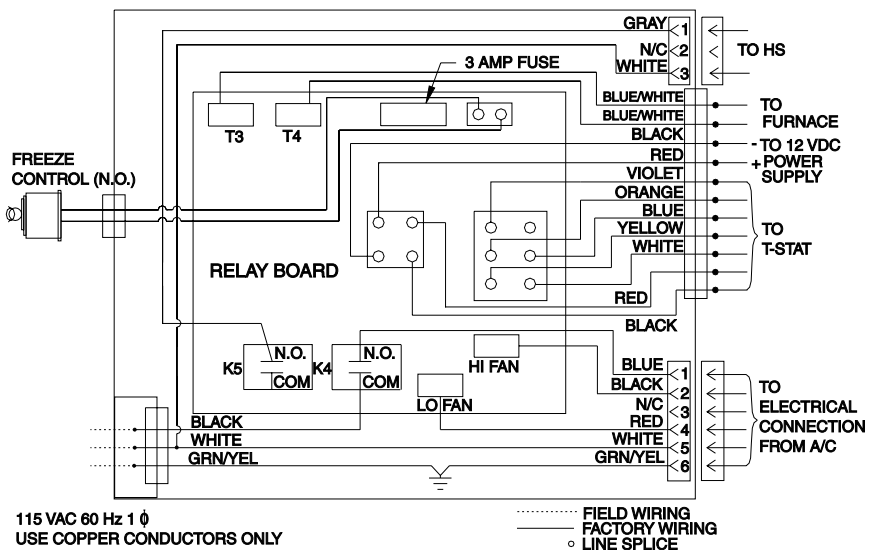
Item No.	Description	Cool & Furnace	Cool, Furnace, Heat Pump	Cool, Furnace, Heat Strip
	Relay, Board kit	3106997.004	3106997.012	3106997.020
A1	Box, relay	3107153.003	3107153.011	3107153.011
A2	Box, junction	3106497.005	3106497.005	3106497.005
A3	Cover, A/C control	3106499.001	3106499.001	3106499.001
A4	Board, relay	3106996.022	3106996.030	3106996.030
A5	Relief, strain	302994.001	302994.001	302994.001
A6	Relief, strain	302994.006	302994.006	302994.006
A7	Bushing, snap-in	301028.042	301028.042	301028.042
A8	Switch, low temperature	3106480.001	— — —	3106480.001
A9	Connector, cable	20010.000	20010.000	20010.000
A10	Support, PC board	3101623.019	3101623.019	3101623.019
A11	Stand-off, PC board	3101624.017	3101624.017	3101624.017
A12	Connector asm.	3107155.008	3107156.006	3107156.014
A13	Screw, T-8-32 x .38	312237.012	312237.012	312237.012
A14	Screw, T-8-32 x .38	307987.007	307987.007	307987.007
A15	Element, fuse 3 amp	3106592.003	3106592.003	3106592.003
A16	Decal, wiring	3107750.006	3107543.005	3107759.007
A17	Cover, junction	3106498.003	3106498.003	3106498.003
A18	Screw, T-10-24 x .50	312194.002	312194.002	312194.002

Wiring Diagrams

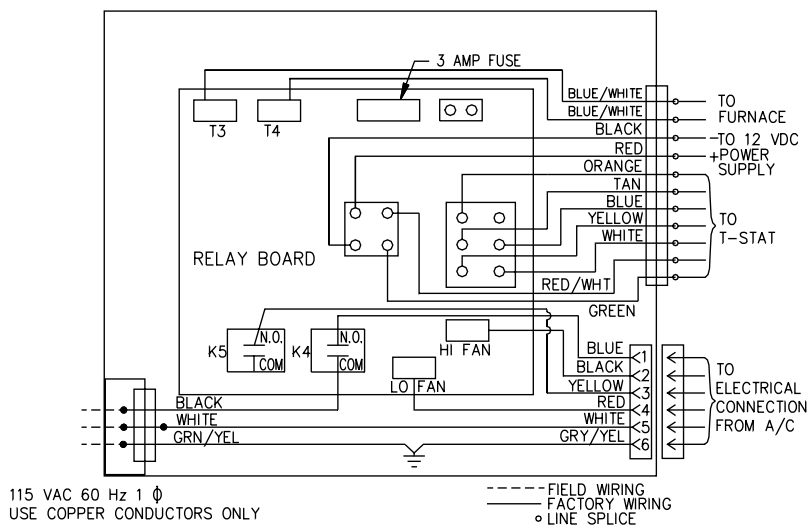
Wiring Diagram for 3107541.009 Cool & Furnace



Wiring Diagram for 3107541.017 Cool, Furnace & Heat Strip



Wiring Diagram for 3107546.008 Cool, Furnace & Heat Pump



DO NOT PRINT BEYOND PAGE 6

PAGES 5-8 KEPT FOR ILLUSTRATIONS ONLY

